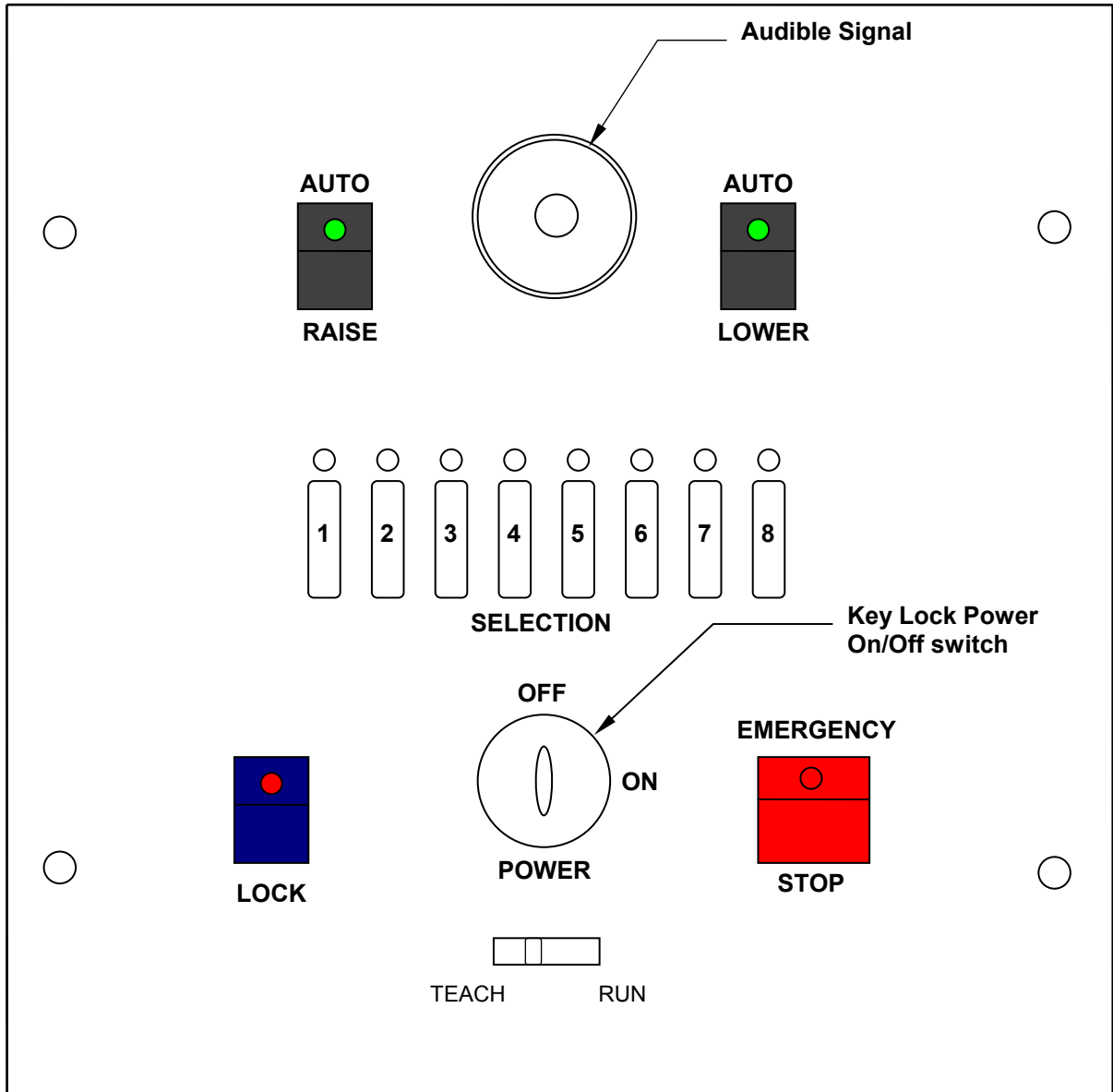


ELECTRONIC CONTROL MODULE FOR MULTIPLE LOWERING SYSTEMS



TYPICAL FRONT PANEL LAYOUT

Enclosure: Painted steel enclosure. Measures 8 in. x 8 in. x 4 in. deep. Provided with knockouts for 1/2 inch or 3/4 inch conduit.

A Programmable Electronic Motor Control For The Operation Of Up To Eight Systems From A Single Location



ELECTRONIC CONTROL MODULE FOR MULTIPLE LOWERING SYSTEMS

Features

- ◆ DESIGNED SPECIFICALLY FOR **RELS-300, CELS-300, MLS-400, MLS-600, and MLS-1100** LIGHT FIXTURE AND CHANDELIER MOTORIZED RAISING AND LOWERING SYSTEMS.
- ◆ LOWERING AND RAISING DISTANCES ARE PROGRAMMABLE BY OWNER OR OPERATOR .
- ◆ SPECIAL 'LOCK' BUTTON PERMITS ALL OF THOSE SYSTEMS SELECTED TO LOCK IN PLACE AT THE SAME TIME.
- ◆ AUDIBLE SIGNAL ALERTS THE OPERATOR TO WHEN ALL OF THE SYSTEMS SELECTED HAVE REACHED THE FULL UP POSITION.
- ◆ COMPUTERIZED CONTROL MODULE PERMITS SYSTEM SELECTION FROM 1 TO 8 TO OPERATE IN ANY ARRANGEMENT.
- ◆ SOPHISTICATED SOFTWARE PROVIDES BUILT IN ASSURANCE THAT NO INADVERTENT PRESSING OF THE WRONG BUTTON WILL RESULT IN PROBLEMS.
- ◆ A KEY LOCK POWER ON/OFF SWITCH PREVENTS UNWANTED PERSONNEL FROM OPERATING THE SYSTEMS.
- ◆ SINGLE BUTTON AUTOMATIC RAISING AND LOWERING WITH LITTLE USER INTERACTION.

Specifications

Voltage: Operates on 105-135 V AC 50/60 Hz.

Output Rating: UL/CSA rating 1 HP @ 120V AC.

Programmable: Field programmable for raising and lowering times over range of 1 to 1024 sec.

Switches: Momentary switches to operate module functions. Key lock power on/off switch. Slide switch for 'Teach-Run' functions. Toggle on/off system selection for eight positions.

LED's: Indicates operation in process. Shows system selection as being in 'on' mode.

Audible Signal: Alerts user that all systems being operated have reached the full 'up' position.

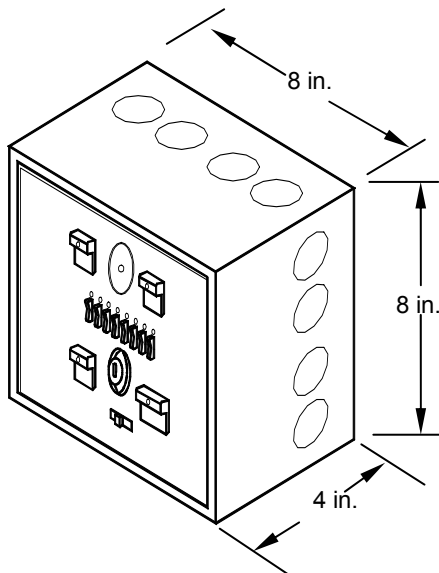
Emergency Stop: Over rides any function in process to immediately stop all system action.

Lockout Logic: Protects against accidentally pressing the wrong function button and damaging mechanical system components.

Cycle Memory: Keeps track of *up/down* cycle-in-process and restores control to that time in the cycle when the power was last removed for any duration.

Raise & Lower Memory: Times maintained in EEPROM memory and is not lost during power failures or any time power is removed from the control.

Connections: Wires of each raising/lowering system connected to the control terminated at terminal blocks for easy wire hookup.



ACCESSPOINT Lowering Systems Inc.

www.access-point.ca • 905-648-1013 • tbreakey@access-point.ca