

# ARCHITECTURAL BOLLARDS



**ACCESSPOINT Inc. Lowering Systems**  
**[www.access-point.ca](http://www.access-point.ca) • 905-648-1013 • [tbreakey@access-point.ca](mailto:tbreakey@access-point.ca)**

## Architectural Bollards by THORN and North Star

The right bollard will not only provide safe illumination in pedestrian areas but they will also enhance the architecture of the landscape. Architects may prefer bollards instead of post lights because of their pedestrian scale and comfortable low glare optics. And, because they rarely are higher than 3'- 4', they do not take away from the building's panorama that the architect was trying to create in the first place.

THORN and North Star bollards are designed with low glare and better uniformity. Cone and louver optics project the light downward providing "puddles" of light that become indirect low-glare beacons to guide pedestrians. Bollards with opal or etched lenses produce better uniformity and better vertical footcandles; and, lower wattage lamps may be used to prevent disabling glare. THORN and North Star offer many of these choices!

Bollards must often take abuse because they are so close to high traffic areas. Only high quality aluminum extrusions and castings are used with a low-copper content. Paint adhesion is very important to prevent peeling and corrosion of the finish. A dipping method for the chromate pre-treat process is used so that the entire bollard is treated inside and out to insure excellent adhesion from the powdercoat process.

Several architectural finishes are offered as standard colors, or, if a custom color is desired, please consult the factory regarding pricing and delivery requirements.

THORN and North Star bollards offer architectural styling, low-glare optics, excellent quality and an outstanding value!



*Shown: BLT Series Taurus Bollard*



BLP SERIES  
THORN® PROMENADE™ BOLLARD  
PAGE 4



BLC SERIES  
COLUMBUS BOLLARD  
PAGE 5



BLX SERIES  
STARTECH BOLLARD  
PAGE 6



BLA SERIES  
ATLANTIC BOLLARD  
PAGE 7



BLD SERIES  
CONCORD BOLLARD  
PAGE 8



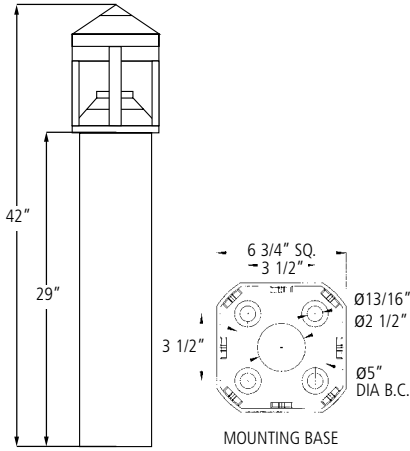
BLT SERIES  
TAURUS BOLLARD  
PAGE 9



BLE SERIES  
EURO BOLLARD  
PAGE 10

# BLP SERIES

## THORN® Promenade™ Bollard



### SPECIFICATIONS

#### Luminaire Head

Die-cast aluminum construction with clear acrylic cylinder providing excellent uniform light pattern utilizing a sand-blasted band to reduce glare. An opal polycarbonate cone at the top of the fixture provides a decorative beacon with optional color filters to change the beacon color. Luminaire top is secured to the bottom housing with (4) 5/1-18 stainless steel Allen-head set screws for easy removal for lamp replacement.

#### Optics/Lens

Type V cone optics with diffuse surface. Virgin acrylic lens is 3/16" thick with internal sand-blasted band producing very efficient and uniform light transmission.

#### Lower Housing

8" dia. extruded aluminum (.125 wall) with top casting to facilitate luminaire head attachment and mounted to base plate with (3) 3/8"-16 flat-head stainless steel screws.

#### Electrical

Socket is medium base porcelain 4kv pulse rated. Compact fluorescent socket is GX24q-3(26W/32W) and GX24q-4(42W). HID ballast is core and coil, available in HPF.

#### Mounting

Cast aluminum base plate is mounted on (4) 3/8" x 9" + 2 1/2" zinc plated L-hook galvanized steel anchor bolts on a 5" bolt circle dia. (use factory supplied template for latest dimensions). Base of bollard can be leveled with bottom washers and nuts then tightened-down with top washers and nuts (supplied).

#### Finish

Standard finish is thermoset powdercoating. Special finishes and colors may be requested by consulting the factory.

U.L. Listed for Wet Locations. IP55 Rated.

### PHOTOMETRY

WATTAGE LAMP LUMENS	ETCHED ACRYLIC LENS w/ TYPE V CONE (EA 5C)								
	32W MH-PS	50W MH	70W MH	50W HPS	70W HPS	26W CFM	32W CFM	42W CFM	75W INCAN
	3500	3400	5500	4000	6400	1800	2200	3200	1220
Distance	Horizontal Foot Candles (Initial)								
2'	7.9	7.7	12.4	5.6	9.0	4.1	5.0	7.2	2.7
4'	11.6	11.2	18.2	8.3	13.2	5.9	7.3	10.6	4.0
6'	3.2	3.1	5.0	2.3	3.6	1.6	2.0	2.9	1.1
8'	1.8	1.8	2.9	1.3	2.1	0.9	1.2	1.7	0.6
10'	1.1	1.1	1.8	0.8	1.3	0.6	0.7	1.0	0.4
12'	1.0	0.9	1.5	0.7	1.1	0.5	0.6	0.9	0.3

### ORDERING GUIDE

SERIES	TOP (C) Cone	LENS (EA) Etched Acrylic	OPTICS (5C) Type V Cone	WATT	LAMP (H) MH (S) HPS (F) Fluor.	VOLTAGE (120) 120V (208) 208V (240) 240V (277) 277V (347) 347V (MT) Multi-Tap	BALLAST (C) CWA (HX) High Reactance	FINISH (BZ) Bronze (BK) Black (AL) Alum. (WH) White	OPTIONS (SF) Sgl. Fuse (DF) Dbl. Fuse
BLP	C	EA	5C	50	H	( )	( )	( )	
BLP	C	EA	5C	70	H	( )	( )	( )	
BLP	C	EA	5C	50	S	(120) (277)	( )	( )	
BLP	C	EA	5C	70	S	( )	( )	( )	
BLP	C	EA	5C	26	F	(120) (277) (347)	( )	( )	
BLP	C	EA	5C	32	F	(120) (277) (347)	( )	( )	
BLP	C	EA	5C	42	F	(120) (277) (347)	( )	( )	
BLP	C	EA	5C	75	I	(120)	( )	( )	

WARNING: Check local electrical codes regarding voltages permitted other than 120V vs National Electric Code, Section 2

## Columbus Bollard 8" Round

### SPECIFICATIONS

#### Luminaire Head

Die-cast aluminum construction with clear acrylic cylinder and diffused cone for uniform lighting without reflector glare. Head may be removed for re-lamping by loosening stainless steel set screws.

#### Optics/Lens

Type V cone optics with diffuse surface. Virgin acrylic lens is 3/16" thick.

#### Lower Housing

8" dia. extruded aluminum (.125 wall) with top casting to facilitate luminaire head mounting and cast bottom plate for mounting onto anchor bolts.

#### Electrical

Socket is medium base porcelain 4kv pulse rated. Compact fluorescent socket is GX24q-3(26W/32W) and GX24q-4(42W). HID ballast is core and coil, available in HPF.

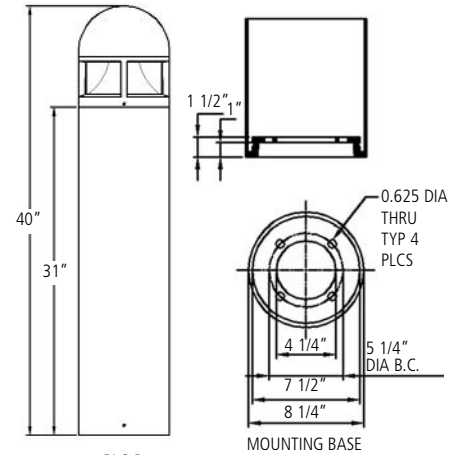
#### Mounting

Cast aluminum base plate is mounted on (4) 3/8" x 9" + 2 1/2" zinc plated L-hook steel anchor bolts on a 5 1/4" bolt circle dia. (use factory supplied template for latest dimensions). Base of bollard can be leveled with bottom washers and nuts then tightened-down with top washers and nuts (supplied).

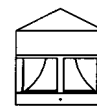
#### Finish

Standard finish is thermoset powdercoating. Special finishes and colors may be requested by consulting the factory.

U.L. Listed for Wet Locations. IP55 Rated.



BLC-R



BLC-C



### PHOTOMETRY

WATTAGE LAMP LUMENS	CLEAR ACRYLIC LENS w/ TYPE V CONE (CA 5C)									
	50W MH	70W MH	100W MH	50W HPS	70W HPS	100W HPS	26W CFM	32W CFM	42W CFM	100W INCAN
	3400	5500	8500	4000	6400	9500	1800	2200	3200	1750
Distance	Horizontal Foot Candles (Initial)									
2'	4.5	7.2	11.2	5.3	8.4	12.5	2.4	2.9	4.2	2.3
4'	7.8	12.6	19.4	9.1	14.6	21.7	4.1	5.0	7.3	4.0
6'	3.3	5.3	8.3	3.9	6.2	9.2	1.7	2.1	3.1	1.7
8'	1.5	2.4	3.6	1.7	2.7	4.1	0.8	0.9	1.4	0.8
10'	0.3	0.4	0.7	0.3	0.5	0.8	0.1	0.2	0.3	0.1
12'	0.2	0.3	0.5	0.2	0.4	0.5	0.1	0.1	0.2	0.1

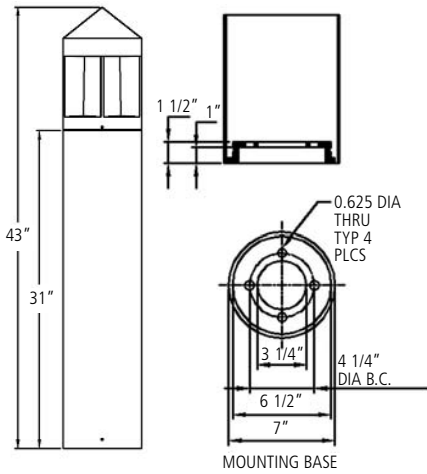
### ORDERING GUIDE

SERIES	TOP (R) Round (C) Cone	LENS (CA) Clear Acrylic	OPTICS (5C) Type V Cone	WATT	LAMP (H) MH (S) HPS (F) Fluor. (MT) Multi-Tap	VOLTAGE (120) 120V (208) 208V (240) 240V (277) 277V (347) 347V (MT) Multi-Tap	BALLAST (C) CWA (HX) High Reactance	FINISH (BZ) Bronze (BK) Black (AL) Alum. (WH) White	OPTIONS (SF) Sgl. Fuse (DF) Dbl. Fuse
BLC	( )	CA	5C	50	H	( )	( )	( )	
BLC	( )	CA	5C	70	H	( )	( )	( )	
BLC	( )	CA	5C	100	H	( )	( )	( )	
BLC	( )	CA	5C	50	S	(120) (277)	( )	( )	
BLC	( )	CA	5C	70	S	( )	( )	( )	
BLC	( )	CA	5C	100	S	( )	( )	( )	
BLC	( )	CA	5C	26	F	(120) (277) (347)	( )	( )	
BLC	( )	CA	5C	32	F	(120) (277) (347)	( )	( )	
BLC	( )	CA	5C	42	F	(120) (277) (347)	( )	( )	
BLC	( )	CA	5C	100	I	(120)	( )	( )	

WARNING: Check local electrical codes regarding voltages permitted other than 120V vs National Electric Code, Section 2

# BLX SERIES

## Startech Bollard 8" Square



### SPECIFICATIONS

#### Luminaire Head

Die-cast aluminum construction with opal glass cylinder providing excellent uniform light. Vertical cast aluminum blades provide vandal protection from larger objects with little reduction of light output. Head may be removed for re-lamping by loosening stainless steel set screws.

#### Optics/Lens

Opal glass globe provides efficient light transmission while eliminating lamp image or hot spots.

#### Lower Housing

8" sq. extruded aluminum (.125 wall) with top casting to facilitate luminaire head mounting. Housing is mounted to base plate with (4) 3/8"-16 flat-head stainless steel screws.

#### Electrical

Socket is medium base porcelain 4kv pulse rated. Compact fluorescent socket is GX24q-3(26W/32W) and GX24q-4(42W). HID ballast is core and coil, available in HPF.

#### Mounting

Cast aluminum base plate is mounted on (4) 3/8" x 9" + 2 1/2" zinc plated L-hook steel anchor bolts on a 4 1/4" bolt circle dia. (use factory supplied template for latest dimensions). Base of bollard can be leveled with bottom washers and nuts then tightened-down with top washers and nuts (supplied).

#### Finish

Standard finish is thermoset powdercoating. Special finishes and colors may be requested by consulting the factory.

U.L. Listed for Wet Locations. IP55 Rated.

### PHOTOMETRY

WATTAGE LAMP LUMENS	OPAL GLASS LENS VERTICAL CAST LOUVERS (O GV CL)									
	50W MH	70W MH	100W MH	50W HPS	70W HPS	100W HPS	26W CFM	32W CFM	42W CFM	100W INCAN
Distance	Horizontal Foot Candles (Initial)									
2'	4.5	7.2	11.2	5.3	8.4	12.5	2.4	2.9	4.2	2.3
4'	7.8	12.6	19.4	9.1	14.6	21.7	4.1	5.0	7.3	4.0
6'	3.3	5.3	8.3	3.9	6.2	9.2	1.7	2.1	3.1	1.7
8'	1.5	2.4	3.6	1.7	2.7	4.1	0.8	0.9	1.4	0.8
10'	0.3	0.4	0.7	0.3	0.5	0.8	0.1	0.2	0.3	0.1
12'	0.2	0.3	0.5	0.2	0.4	0.5	0.1	0.1	0.2	0.1

### ORDERING GUIDE

SERIES	TOP (C) Cone	LENS (CG) Opal Glass	OPTICS (VCL) Vert. Cast Louvers	WATT	LAMP (H) MH (S) HPS (F) Fluor. (MT) Multi-Tap	VOLTAGE (120) 120V (208) 208V (240) 240V (277) 277V (347) 347V	BALLAST (C) CWA (HX) High Reactance	FINISH (BZ) Bronze (BK) Black (AL) Alum. (WH) White	OPTIONS (SF) Sgl. Fuse (DF) Dbl. Fuse
BLX	C	OG	VCL	50	H	( )	( )	( )	
BLX	C	OG	VCL	70	H	( )	( )	( )	
BLX	C	OG	VCL	100	H	( )	( )	( )	
BLX	C	OG	VCL	50	S	(120) (277)	( )	( )	
BLX	C	OG	VCL	70	S	( )	( )	( )	
BLX	C	OG	VCL	100	S	( )	( )	( )	
BLX	C	OG	VCL	26	F	(120) (277) (347)	( )	( )	
BLX	C	OG	VCL	32	F	(120) (277) (347)	( )	( )	
BLX	C	OG	VCL	42	F	(120) (277) (347)	( )	( )	
BLX	C	OG	VCL	100	I	(120)	( )	( )	

**WARNING:** Check local electrical codes regarding voltages permitted other than 120V vs National Electric Code, Section 2

## Atlantic Bollard 7" Round

### SPECIFICATIONS

#### Luminaire Head

Die-cast aluminum construction with opal glass cylinder providing excellent uniform light. Vertical cast aluminum blades provide vandal protection from larger objects with little reduction of light output. Head may be removed for re-lamping by loosening stainless steel set screws.

#### Optics/Lens

Opal glass globe provides efficient light transmission while eliminating lamp image or hot spots.

#### Lower Housing

7" dia. extruded aluminum (.125 wall) with welded top casting to facilitate luminaire head mounting. Lower housing is mounted to base plate with (3) 3/8"-16 flat-head stainless steel screws.

#### Electrical

Socket is medium base porcelain 4kv pulse rated. Compact fluorescent socket is GX24q-3(26W/32W) and GX24q-4(42W). HID ballast is core and coil, available in HPF.

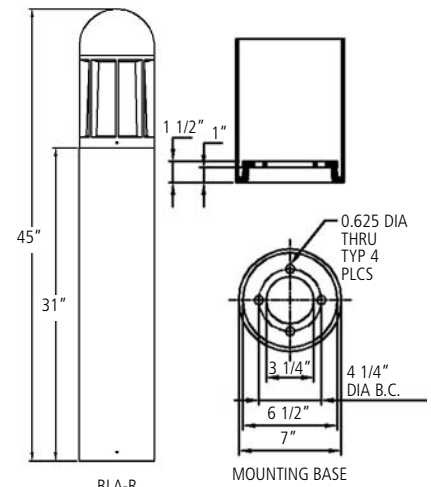
#### Mounting

Cast aluminum base plate is mounted on (4) 3/8" x 9" + 2 1/2" zinc plated L-hook steel anchor bolts on a 4 1/4" bolt circle dia. (use factory supplied template for latest dimensions). Base of bollard can be leveled with bottom washers and nuts then tightened-down with top washers and nuts (supplied).

#### Finish

Standard finish is thermoset powdercoating. Special finishes and colors may be requested by consulting the factory.

U.L. Listed for Wet Locations. IP55 Rated.



BLA-R

MOUNTING BASE



BLA-C



### PHOTOMETRY

WATTAGE LAMP LUMENS	OPAL GLASS (OG5 O)									
	50W MH	70W MH	100W MH	50W HPS	70W HPS	100W HPS	26W CFM	32W CFM	42W CFM	100W INCAN
	3400	5500	8500	4000	6400	9500	1800	2200	3200	1750
Distance	Horizontal Foot Candles (Initial)									
2'	5.4	8.7	13.4	6.3	10.1	15.0	2.8	3.5	5.0	2.8
4'	9.3	15.1	23.3	11.0	17.6	26.1	4.9	6.0	8.8	4.8
6'	4.0	6.4	9.9	4.7	7.5	11.1	2.1	2.6	3.7	2.0
8'	1.7	2.8	4.4	2.1	3.3	4.9	0.9	1.1	1.6	0.9
10'	0.3	0.5	0.8	0.4	0.6	0.9	0.2	0.2	0.3	0.2
12'	0.2	0.4	0.6	0.3	0.4	0.7	0.1	0.2	0.2	0.1

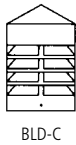
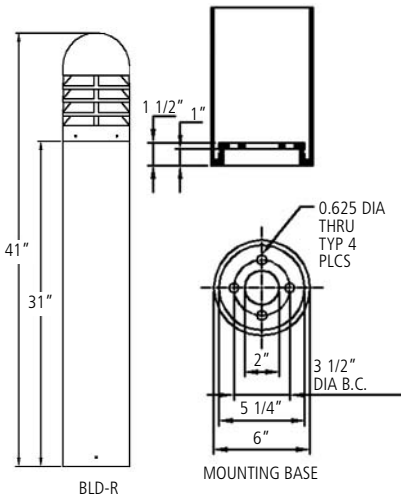
### ORDERING GUIDE

SERIES	TOP (R) Round (C) Cone	LENS (OG) Opal Glass	OPTICS (50) Type V	WATT	LAMP (H) MH (S) HPS (F) Fluor.	VOLTAGE (120) 120V (208) 208V (240) 240V (277) 277V (347) 347V (MT) Multi-Tap	BALLAST (C) CWA (HX) High Reactance	FINISH (BZ) Bronze (BK) Black (AL) Alum. (WH) White	OPTIONS (SF) Sgl. Fuse (DF) Dbl. Fuse
BLA	C	OG	50	50	H	( )	( )	( )	
BLA	C	OG	50	70	H	( )	( )	( )	
BLA	C	OG	50	35	S	(120)	( )	( )	
BLA	C	OG	50	50	S	(120) (277)	( )	( )	
BLA	C	OG	50	70	S	( )	( )	( )	
BLA	C	OG	50	26	F	(120) (277) (347)	( )	( )	
BLA	C	OG	50	32	F	(120) (277) (347)	( )	( )	
BLA	C	OG	50	42	F	(120) (277) (347)	( )	( )	
BLA	C	OG	50	100	I	(120)	( )	( )	

**WARNING:** Check local electrical codes regarding voltages permitted other than 120V vs National Electric Code, Section 2

# BLD SERIES

## Concord Bollard 6" Round



### SPECIFICATIONS

#### Luminaire Head

Die-cast aluminum construction with 4 external cast louvers for vandal protection and to direct the light downward with no direct glare from the light source. Opal glass jar is threaded onto die-cast plate. Head may be removed for re-lamping by loosening stainless steel set screws.

#### Optics/Lens

Opal glass globe provides efficient light transmission while eliminating lamp image or hot spots and louvers direct the main light down below 60°.

#### Lower Housing

6" dia. extruded aluminum (.125 wall) with welded top casting to facilitate luminaire head mounting and mounted to base plate with (3) 3/8"-16 flat-head stainless steel screws.

#### Electrical

Socket is medium base porcelain 4kv pulse rated. Compact fluorescent socket is GX24q-3(26W/32W) and GX24q-4(42W). HID ballast is core and coil, available in HPF.

#### Mounting

Cast aluminum base plate is mounted on (4) 3/8" x 9" + 2 1/2" zinc plated L-hook steel anchor bolts on a 3 1/2" bolt circle dia. (use factory supplied template for latest dimensions). Base of bollard can be leveled with bottom washers and nuts then tightened-down with top washers and nuts (supplied).

#### Finish

Standard finish is thermoset powdercoating. Special finishes and colors may be requested by consulting the factory.

U.L. Listed for Wet Locations. IP55 Rated.

### PHOTOMETRY

WATTAGE LAMP LUMENS	CLEAR ACRYLIC LENS TYPE V LOUVERS (CA 5 L)									
	50W MH	70W MH	100W MH	50W HPS	70W HPS	100W HPS	26W CFM	32W CFM	42W CFM	100W INCAN
	3400	5500	8500	4000	6400	9500	1800	2200	3200	1750
Distance	Horizontal Foot Candles (Initial)									
2'	1.8	3.0	4.6	2.2	3.5	5.2	1.0	1.2	1.7	1.0
4'	1.2	1.9	2.9	1.4	2.2	3.3	0.6	0.8	1.1	0.6
6'	0.4	0.6	0.9	0.4	0.7	1.0	0.2	0.2	0.3	0.2
8'	0.2	0.3	0.4	0.2	0.3	0.4	0.1	0.1	0.1	0.1
10'	0.1	0.1	0.2	0.1	0.1	0.2	0.0	0.1	0.1	0.0
12'	0.1	0.1	0.1	0.1	0.1	0.2	0.0	0.0	0.1	0.0

### ORDERING GUIDE

SERIES	TOP (R) Round (C) Cone	LENS (OG) Opal Glass	OPTICS (5CL) Type V Cast Louvers	WATT	LAMP (H) MH (S) HPS (F) Fluor. (MT) Multi-Tap	VOLTAGE (120) 120V (208) 208V (240) 240V (277) 277V (347) 347V (MT) Multi-Tap	BALLAST (C) CWA (HX) High Reactance	FINISH (BZ) Bronze (BK) Black (AL) Alum. (WH) White	OPTIONS (SF) Sgl. Fuse (DF) Dbl. Fuse
BLD	( )	OG	5CL	50	H	( )	( )	( )	
BLD	( )	OG	5CL	70	H	( )	( )	( )	
BLD	( )	OG	5CL	100	H	( )	( )	( )	
BLD	( )	OG	5CL	50	S	(120) (277)	( )	( )	
BLD	( )	OG	5CL	70	S	( )	( )	( )	
BLD	( )	OG	5CL	100	S	( )	( )	( )	
BLD	( )	OG	5CL	26	F	(120) (277) (347)	( )	( )	
BLD	( )	OG	5CL	32	F	(120) (277) (347)	( )	( )	
BLD	( )	OG	5CL	42	F	(120) (277) (347)	( )	( )	
BLD	( )	OG	5CL	100	I	(120)	( )	( )	

**WARNING:** Check local electrical codes regarding voltages permitted other than 120V vs National Electric Code, Section 2

## Taurus Bollard 7" Round

### SPECIFICATIONS

#### Luminaire Head

Die-cast aluminum construction with 7 internal diffuse aluminum louvers for excellent uniformity and wide light distribution with minimal direct glare from the light source. Clear acrylic lens shields the lamp and louver assembly. Head may be removed for re-lamping by loosening stainless steel set screws.

#### Optics/Lens

Clear acrylic lens and aluminum louvers provide efficient light transmission directing the main light down below 75°.

#### Lower Housing

7" dia. extruded aluminum (.125 wall) with top casting to facilitate luminaire head mounting. Lower housing is mounted to base plate with (3) 3/8"-16 flat-head stainless steel screws.

#### Electrical

Socket is medium base porcelain 4kv pulse rated. Compact fluorescent socket is GX24q-3(26W/32W) and GX24q-4(42W). HID ballast is core and coil, available in HPF.

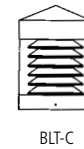
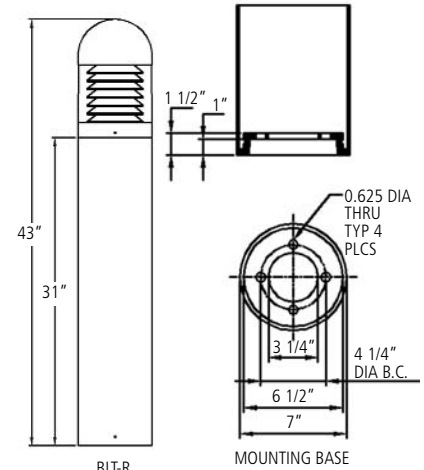
#### Mounting

Cast aluminum base plate is mounted on (4) 3/8" x 9" + 2 1/2" zinc plated L-hook galvanized steel anchor bolts on a 4 1/4" bolt circle dia. (use factory supplied template for latest dimensions). Base of bollard can be leveled with bottom washers and nuts then tightened-down with top washers and nuts (supplied).

#### Finish

Standard finish is thermoset powdercoating. Special finishes and colors may be requested by consulting the factory.

U.L. Listed for Wet Locations. IP55 Rated.



### PHOTOMETRY

WATTAGE LAMP LUMENS	CLEAR ACRYLIC LENS TYPE V LOUVERS (CA 5 L)									
	50W MH	70W MH	100W MH	50W HPS	70W HPS	100W HPS	26W CFM	32W CFM	42W CFM	100W INCAN
	3400	5500	8500	4000	6400	9500	1800	2200	3200	1750
Distance	Horizontal Foot Candles (Initial)									
2'	8.6	13.9	21.5	10.1	16.2	24.0	4.5	5.6	8.1	4.4
4'	7.1	11.5	17.8	8.4	13.4	19.9	3.8	4.6	6.7	3.7
6'	3.7	6.0	9.2	4.3	6.9	10.3	2.0	2.4	3.5	1.9
8'	1.6	2.5	3.9	1.8	2.9	4.3	0.8	1.0	1.5	0.8
10'	0.6	1.0	1.5	0.7	1.1	1.7	0.3	0.4	0.6	0.3
12'	0.5	0.8	1.2	0.5	0.9	1.3	0.2	0.3	0.4	0.2

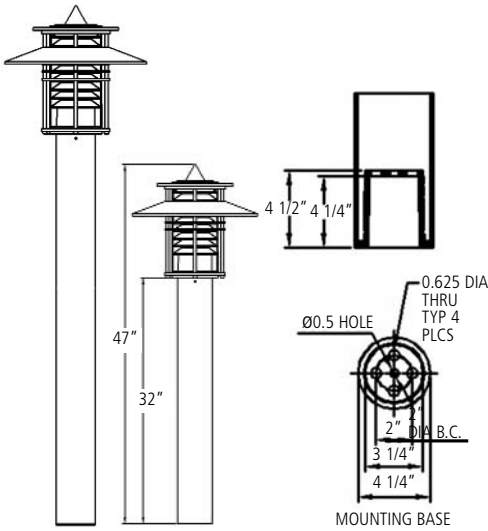
### ORDERING GUIDE

SERIES	TOP (R) Round (C) Cone	LENS (CA) Clear Acrylic	OPTICS (5C) Type V Louvers	WATT	LAMP (H) MH (S) HPS (F) Fluor. (MT) Multi-Tap	VOLTAGE (120) 120V (208) 208V (240) 240V (277) 277V (347) 347V (MT) Multi-Tap	BALLAST (C) CWA (HX) High Reactance	FINISH (BZ) Bronze (BK) Black (AL) Alum. (WH) White	OPTIONS (SF) Sgl. Fuse (DF) Dbl. Fuse
BLT	( )	CA	5L	50	H	( )	( )	( )	
BLT	( )	CA	5L	70	H	( )	( )	( )	
BLT	( )	CA	5L	100	H	( )	( )	( )	
BLT	( )	CA	5L	35	S	(120)	( )	( )	
BLT	( )	CA	5L	50	S	(120) (277)	( )	( )	
BLT	( )	CA	5L	70	S	( )	( )	( )	
BLT	( )	CA	5L	26	F	(120) (277) (347)	( )	( )	
BLT	( )	CA	5L	32	F	(120) (277) (347)	( )	( )	
BLT	( )	CA	5L	42	F	(120) (277) (347)	( )	( )	
BLT	( )	CA	5L	100	I	(120)	( )	( )	

WARNING: Check local electrical codes regarding voltages permitted other than 120V vs National Electric Code, Section 2

# BLE SERIES

## Euro Bollard



### SPECIFICATIONS

#### Luminaire Head

Available in different post heights. Internal anchor base is pedestrian friendly for high traffic areas. Die-cast aluminum construction with 7 internal diffuse aluminum louvers for excellent uniformity and wide light distribution with minimal direct glare from the light source. Luminaire tenon slips into 3 7/8" dia. post. Top may be removed for re-lamping by loosening stainless steel screws.

#### Optics/Lens

Clear acrylic or glass lens and aluminum louvers provide efficient light transmission directing the main light down below 75°. Opal or opaque lens provides uniform lighting without louvers.

#### Lower Housing

Post is aluminum pipe with 4 1/2" O.D. and a 3 7/8" I.D. internal support sleeve welded on top and bottom for strength. Post is mounted to base tenon with (3) 3/8" -16 flat-head stainless steel screws.

#### Electrical

Socket is medium base porcelain 4kv pulse rated. Compact fluorescent socket is GX24q-3(26W/32W) and GX24q-4(42W). HID ballast is core and coil, available in HPF.

#### Mounting

Heavy duty cast aluminum base tenon is mounted on (4) 3/8" x 9" + 2 1/2" zinc plated L-hook galvanized steel anchor bolts on a 2" bolt circle dia. (use factory supplied template for latest dimensions). Base of bollard can be leveled with bottom washers and nuts then tightened-down with top washers and nuts (supplied).

#### Finish

Standard finish is thermoset powdercoating. Special finishes and colors may be requested by consulting the factory.

U.L. Listed for Wet Locations. IP55 Rated.

### PHOTOMETRY

WATTAGE LAMP LUMENS	CLEAR ACRYLIC LENS TYPE V CONE (C A5 C)									
	50W MH	70W MH	100W MH	50W HPS	70W HPS	100W HPS	26W CFM	32W CFM	42W CFM	75W INCAN
	3400	5500	8500	4000	6400	9500	1800	2200	3200	1220
Distance	Horizontal Foot Candles (Initial) @ 4' MH									
2'	11.7	19.0	29.3	13.8	22.1	32.7	6.2	7.6	11.0	4.2
4'	4.3	6.9	10.7	5.0	8.1	12.0	2.3	2.8	4.0	1.5
6'	1.4	2.3	3.5	1.6	2.6	3.9	0.7	0.9	1.3	0.5
8'	1.1	1.8	2.7	1.3	2.1	3.1	0.6	0.7	1.0	0.4
10'	0.4	0.6	1.0	0.5	0.7	1.1	0.2	0.2	0.4	0.2
12'	0.3	0.5	0.7	0.3	0.5	0.8	0.2	0.2	0.3	0.1

### ORDERING GUIDE

SERIES	O.A. HEIGHT (4) 4' (8) 8' (10) 10' (12) 12'	TOP (C) Cone	LENS (CA) Clear Acrylic (CG) Clear Glass (OA) Opal Acrylic (OG) Opaque Glass	OPTICS (5L) Type V Louvers (5) w/OA or OG Lens	WATT	LAMP (H) MH (S) HPS (F) Fluor. (I) Incan.	VOLTAGE (120) 120V (208) 208V (240) 240V (277) 277V (347) 347V (MT) Multi-Tap	BALLAST (C) CWA (HX) High Reactance	FINISH (BZ) Bronze (BK) Black (AL) Alum. (WH) White	OPTIONS (SF) Sgl. Fuse (DF) Dbl. Fuse
BLE	( )	C	CA	5L	50	H	( )	( )	( )	
BLE	( )	C	CA	5L	70	H	( )	( )	( )	
BLE	( )	C	CG	5L	100	H	( )	( )	( )	
BLE	( )	C	CA	5L	35	S	(120)	( )	( )	
BLE	( )	C	CA	5L	70	S	( )	( )	( )	
BLE	( )	C	CG	5L	100	S	( )	( )	( )	
BLE	( )	C	CA	5L	26	F	(120) (277) (347)	( )	( )	
BLE	( )	C	CA	5L	32	F	(120) (277) (347)	( )	( )	
BLE	( )	C	CA	5L	42	F	(120) (277) (347)	( )	( )	
BLE	( )	C	CA	5L	75	I	(120)	( )	( )	

WARNING: Check local electrical codes regarding voltages permitted other than 120V vs National Electric Code, Section 2



THORN and North Star bollards offer architectural styling, low-glare optics, excellent quality and an outstanding value!



Top: BLX Series Startech Bollard  
 Above: BLD Series Concord Bollard  
 Right: BLP Series THORN® Promenade



Shown: BLE Series Euro Bollard

**LAMP CHART**

SOURCE	WATTAGE	LAMP	ANSI BALLAST #	AVG. LIFE (hours)	INITIAL LUMENS	MEAN LUMENS	EFFICACY LUMENS/WATT	SOCKET
Incandescent	75	A19		750	1220		16.3	Medium
Incandescent	100	A19		750	1750		17.5	Medium
Metal Halide	50	E17	M110	15,000	3450	2000	68.0	Medium
Metal Halide	70	E17	M98	15,000	5200	3900	71.4	Medium
Metal Halide	100	E17	M90	15,000	8500	5525	85.0	Medium
HPS	35	E17	S76	16,000	2100	1935	60.0	Medium
HPS	50	E17	S68	24,000	3700	3420	74.0	Medium
HPS	70	E17	S62	24,000	6300	5350	90.0	Medium
HPS	100	E17	S54	24,000	8800	7500	88.0	Medium

SOURCE	WATTAGE	LAMP	MIN. START TEMP. (°F)	AVG. LIFE (hours)	INITIAL LUMENS	MEAN LUMENS	EFFICACY LUMENS/WATT	SOCKET
Fluorescent	26	CFM26	32°F	10,000	1800	1530	69.2	GX24q-3
Fluorescent	32	CFM32	32°F	10,000	2200	1870	68.8	GX24q-3
Fluorescent	42	CFM42	32°F	10,000	3200	2720	76.2	GX24q-4



North Star Lighting and THORN provide a variety of lighting solutions for a wide range of indoor and outdoor lighting applications.



 NORTH STAR LIGHTING, INC.

2150 PARKES DRIVE BROADVIEW, ILLINOIS 60155

PHONE: 888.681.6888 FAX: 708.681.4006

[www.nslights.com](http://www.nslights.com)