

Construction

HOUSING is die-cast aluminum, heavy duty, structurally rigid and vibration resistant. Housing is finished charcoal gray using polyester powder coat. Other optional finishes are available.

LENS DOOR ASSEMBLY: Minimum 1/8" thick tempered glass lens, thermal and impact resistant, sealed with doorframe and housing using extruded, memory retentive silicone gasket. The doorframe is die-cast aluminum.

BASE HOUSING is die-cast ALUMINUM. It is an enclosure for the electrical components. Housing/lens door assembly is separated by a shaft.

Optical System

Optical system is a precise beam built in PAR lamps of your choice. Specular Anodized reflector is provided for the enhancement of the light beam.

Electrical Components

LAMPHOLDER shall be UL recognized component for the medium base, G8, or GU10 corresponding to match with the light source. Medium base lamp holder will be glazed porcelain with spring-loaded center contact, Nickel-plated copper screw shell with anti-vibration grip. It is rated for 4KV, 600V. Wire leads will be rated 18AWG, 200° C, and 600V.

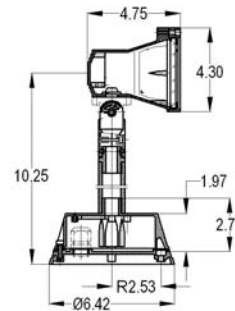
BALLAST (for HID) shall be UL recognized, high power factor electronic with reliable lamp starting temperature below -20°F.

Mounting

The base can be mounted on horizontal (ground, pedestal, or post) or vertical (wall) surface. The power supply connection can be made inside the base housing.

Listings

UL 1598 and CSA C22.2 NO. 250.0 standards. Suitable for indoor/outdoor wet or damp location use.



PHOTOMETRIC DATA: RAF1-20M1-LE			
COLOR	Beam Center Fc. @ 6 ft.	Beam Angle @ 50% of Max	Field Angle @ 10% of Max
White	27	22	48
Red	9.3		
Green	16.4		
Blue	3.7		

Preliminary

ORDERING GUIDE

MODEL	WATTAGE	MOUNTING	LAMP TYPE	LAMP STYLE	INPUT VOLTAGE	BALLAST TYPE	OPTION
RAF1	20	1	H	MED	120	E	HC
RAF1	20 - 20W PAR20	1 - Base Mount	H - Metal Halide T - Tungsten Halogen	G8 - G8.5, T4.5 MED - MED. PAR30	MT - Multi Volt 120 - 120V	E - ELECTRONIC X - NONE	V - Visor H - Hood
	50MR - 50W MR16, GU10, 120V		LE - LED***	GU10 - GU10, 50W MR16	208 - 208V		HC - Honeycomb Lvr.
	50 - T.H. PAR20		*** Consult Factory	Leave Blank for LED	240 - 240V 277 - 277V		CFX - Color Filter "x" specify color
	20M - 20W LED MASTER						
	20S - 20W LED SLAVE						

Construction

HOUSING is die-cast aluminum, heavy duty, structurally rigid and vibration resistant. Housing is finished charcoal gray using polyester powder coat. Other optional finishes are available.

LENS DOOR ASSEMBLY: Minimum 1/8" thick tempered glass lens, thermal and impact resistant, sealed with doorframe and housing using extruded, memory retentive silicone gasket. The doorframe is die-cast aluminum.

BASE HOUSING is die-cast ALUMINUM. It is an enclosure for the electrical components. Housing/lens door assembly is separated by a shaft as shown.

Optical System

Optical system is a precise beam built in PAR lamps of your choice. Specular Anodized reflector is provided for the enhancement of the light beam.

Electrical Components

LAMPHOLDER shall be UL Listed component for the medium base, G8 or double contact bayonet base corresponding to match with the light source. Medium base lamp holder will be glazed porcelain with spring-loaded center contact, Nickel-plated copper screw shell with anti-vibration grip. It is rated for 4KV, 600V. Wire leads will be rated 18AWG, 200° C, and 600V.

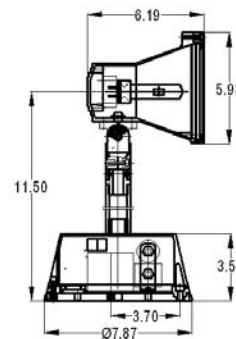
BALLAST (for HID) shall be Electronic ,high power factor with reliable lamp starting temperature below -20°F for MH.

Mounting

The base can be mounted on horizontal (ground, pedestal, or post) or vertical (wall) surface. The power supply connection shall be made inside the base housing.

Listings

UL 1598 and CSA C22.2 NO. 250.0 standards. Suitable for indoor/outdoor wet or damp location use.



PHOTOMETRIC DATA: RAF2-40M1-LE			
COLOR	Beam Center Fc.	Beam Angle @ 50% of Max	Field Angle @ 10% of Max
White	46	28	53
Red	16.3		
Green	28.4		
Blue	6.36		

Preliminary

ORDERING GUIDE

MODEL	WATTAGE	MOUNTING	LAMP TYPE	LAMP STYLE	INPUT VOLTAGE	BALLAST TYPE	OPTION
RAF2	- 35	I	H	MED	120	E	V
RAF2	35 - 35W PAR30, T4.5 (HID)	1 - Base Mount	H - Metal Halide TH - Tungsten Halogen	G8 - G8.5, T4.5 MED - MED. PAR30/PAR20	120 - 120V 277 - 277V++	E - ELECTRONIC X - NONE	V - Visor H - Hood HC - Honeycomb Lvr. CFX - Color Filter "x" specify color
	39C - CDM-R111 (HID)		LE - LED***	DCB - DC BAY. CDM-R111	++Check factory for availability		
	50 - 50W PAR30, MED (T.H.)						
	75 - 75W MR16, MED. (T.H.)		*** Consult Factory				

Construction

HOUSING die-cast aluminum, heavy duty, structurally rigid and vibration resistant; charcoal gray, polyester powder coat finish. Other optional other finishes are available.

LENS DOOR ASSEMBLY: Minimum 1/8" thick tempered glass lens, thermal and impact resistant, sealed with doorframe and housing using extruded, memory retentive silicone gasket. The door frame is die-cast aluminum

Optical System

Optical system is a one piece precision die formed aluminum and finished to specular mirror surface ; designed for high performance controlled beam and low glare.

Electrical Components

LAMPHOLDER shall be glazed porcelain mogul base with spring loaded center contact; Nickel plated copper screw shell with anti-vibration grip. Rated 4KV, 600V.

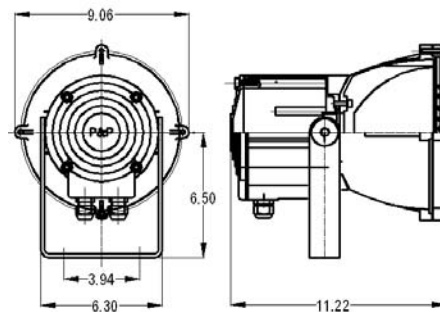
BALLAST shall be high power factor with reliable lamp starting temperature below -40°F for HPS and -20°F for MH. Ballast coil windings are copper with class H insulation.

Mounting

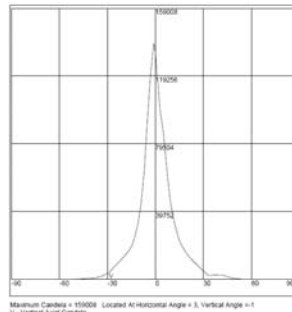
Heavy duty yoke is provided with (2) 0.437 dia. Holes to mount on horizontal or vertical surface depending on application. Also sealed type water resistant cable is provided for the supply connections. The cable is rated for outdoor wet or damp location use.

Listings

UL 1598 and CSA C22.2 NO. 250.0 standards. Suitable for indoor/outdoor wet or damp location use.



PHOTOMETRIC DATA



RAF3-10031H-MED 100W MH Narrow Spot

IES NEMA Type	2 H x 2 V
Maximum Candela	86857.2
Maximum Candela Angle	0H 0V
Horizontal Beam Angle (50%)	12.3
Vertical Beam Angle (50%)	12.1
Horizontal Field Angle (10%)	22.0
Vertical Field Angle (10%)	21.6
Total Rated Lamp Lumens	8500
Beam Lumens	2026.73
Beam Efficiency	23.84%
Field Lumens	3815.74
Field Efficiency	44.89%
Total Lumens	5554.43
Total Efficiency	65.35%

ORDERING GUIDE

MODEL	WATTAGE	OPTICS	MOUNTING	LAMP TYPE	LAMP STYLE	INPUT VOLTAGE	BALLAST TYPE	OPTION
RAF3	- 100	3	1	H	- MED	- 120	E	- DMX
RAF3	32 - 32W	3 - Narrow	1 - Yoke	H - MH	MED - MED. BD17/ED17/ T10	MT - Multi Volt	H - C&C	V - Visor
	35 - 35W	4 - Medium		LS - HPS		120 - 120V	E - ELECTRONIC	H - Hood
	39 - 39W	5 - Wide				208 - 208V	(120-277V only)	CRL - Con. Ring Lvr.
	50 - 50W					240 - 240V		CFX - Color Filter
	70 - 70W					277 - 277V		"x" specify color
	100 - 100W	FOR LED CONSULT FACTORY				347 - 347V		DMX - DMX for LED
						480 - 480V		

Construction

HOUSING die-cast aluminum, heavy duty, structurally rigid and vibration resistant; charcoal gray, polyester powder coat finish. Other optional other finishes are available.

LENS DOOR ASSEMBLY: Minimum 1/8" thick tempered glass lens, thermal and impact resistant, sealed with doorframe and housing using extruded, memory retentive silicone gasket. The door frame is die-cast aluminum

Optical System

Optical system is a one piece precision die formed aluminum and finished to specular mirror surface ; designed for high performance controlled beam and low glare.

Electrical Components

LAMPHOLDER shall be glazed porcelain mogul base with spring loaded center contact; Nickel plated copper screw shell with anti-vibration grip. Rated 4KV, 600V.

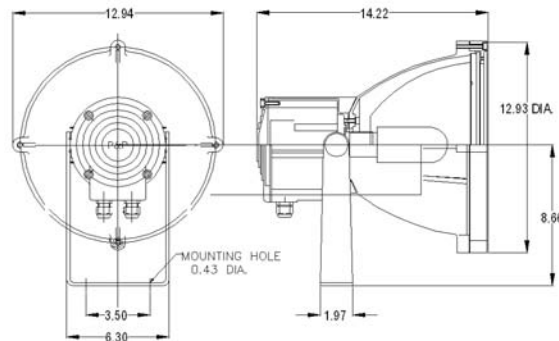
BALLAST shall be high power factor with reliable lamp starting temperature below -40° F for HPS and -20°F for MH. Ballast coil windings are copper with class H insulation.

Mounting

Heavy duty yoke is provided with (2) 0.437 dia. Holes to mount on horizontal or vertical surface depending on application. Also sealed type water resistant cable is provided for the supply connections. The cable is rated for outdoor wet or damp location use.

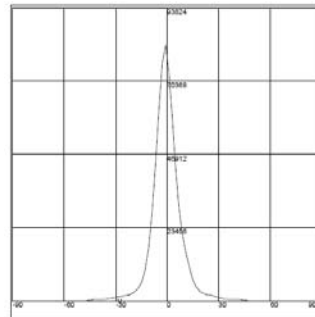
Listings

UL 1598 and CSA C22.2 NO 250.0 standards. Suitable for indoor/outdoor wet or damp location use.



PHOTOMETRIC DATA

IES FLOOD REPORT
PHOTOMETRIC FILENAME : LTL09129.IES
AXIAL CANDELA DISPLAY



Maximum Candela = 93823.52 Located At Horizontal Angle = 3, Vertical Angle = 1
V - Vertical Axial Candela

RAF4-231H—MED 150W MH Narrow spot

CHARACTERISTICS

IES NEMA Type	3 H x 2 V
Maximum Candela	93823.52
Maximum Candela Angle	3H -1V
Horizontal Beam Angle (50%)	17.2
Vertical Beam Angle (50%)	9.9
Horizontal Field Angle (10%)	31.7
Vertical Field Angle (10%)	26.4
Total Rated Lamp Lumens	12900
Beam Lumens	2974.65
Beam Efficiency	23.06%
Field Lumens	6364.1
Field Efficiency	49.33%
Total Lumens	9502.97
Total Efficiency	73.67%

ORDERING GUIDE

MODEL	WATTAGE	OPTICS	MOUNTING	LAMP TYPE	LAMP STYLE	INPUT VOLTAGE	BALLAST TYPE	OPTION				
RAF4	-	2	3	I	H	-	MED	-	MT	E	-	CRL
RAF4	0 - 70	3 - Narrow	1 - Yoke	H - MH	MED - MED, BD17	MT - Multi Volt	H - C&C	V - Visor				
	1 - 100	4 - Medium		LS - HPS		120 - 120V	E - ELECTRONIC (G12)	H - Hood				
	2 - 150	5 - Wide				208 - 208V		CRL - Con. Ring Lvr.				
						240 - 240V		CFX - Color Filter				
						277 - 277V		"x" specify color				
						347 - 347V						
						480 - 480V						

Construction

HOUSING die-cast aluminum, heavy duty, structurally rigid and vibration resistant; charcoal gray, polyester powder coat finish. Other optional other finishes are available.

LENS DOOR ASSEMBLY: Minimum 1/8" thick tempered glass lens, thermal and impact resistant, sealed with doorframe and housing using extruded, memory retentive silicone gasket. The door frame is die-cast aluminum

Optical System

Optical system is a one piece precision die formed aluminum and finished to specular mirror surface ; designed for high performance controlled beam and low glare.

Electrical Components

LAMPHOLDER shall be glazed porcelain mogul base with spring loaded center contact; Nickel plated copper screw shell with anti-vibration grip. Rated 4KV, 600V.

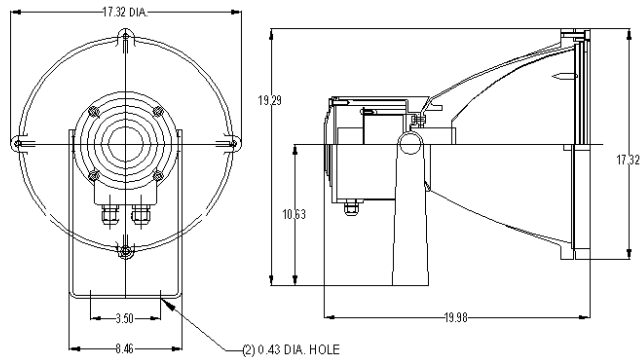
BALLAST shall be high power factor with reliable lamp starting temperature below -40°F for HPS and -20°F for MH. Ballast coil windings are copper with class H insulation.

Mounting

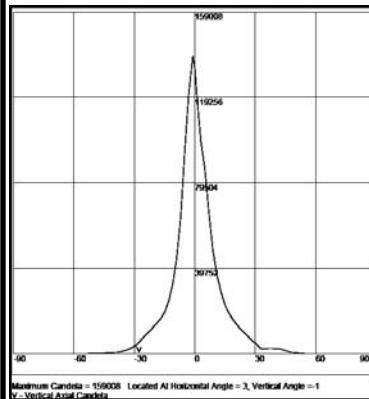
Heavy duty yoke is provided with (2) 0.437 dia. Holes to mount on horizontal or vertical surface depending on application. Also sealed type water resistant cable is provided for the supply connections. The cable is rated for outdoor use.

Listings

UL 1598 and CSA C22.2 NO 250.0 standards. Suitable for indoor/outdoor use.



RAF5-631H—400W MH—Narrow



IES NEMA Type	3 H x 3 V
Maximum Candela	159008
Maximum Candela Angle	3H -1V
Horizontal Beam Angle (50%)	17.6
Vertical Beam Angle (50%)	10.7
Horizontal Field Angle (10%)	42.7
Vertical Field Angle (10%)	36.1
Total Rated Lamp Lumens	33000
Beam Lumens	4852.58
Beam Efficiency	14.70%
Field Lumens	15568.5
Field Efficiency	47.18%
Total Lumens	22237.84
Total Efficiency	67.39%

ORDERING GUIDE

MODEL	WATTAGE	OPTICS	MOUNTING	LAMP TYPE	LAMP STYLE	INPUT VOLTAGE	BALLAST TYPE	OPTION
RAF5	- 6	3	1	H	- T15	- MT	H	- CRL
RAF5	3 - 175	3 - Narrow	1 - Yoke	H - MH	T15 - T15	MT - Multi Volt	H - C&C	V - Visor
	4 - 250	4 - Medium		LS - HPS	ED18 - ED18	120 - 120V	E - ELECTRONIC, G12	H - Hood
	5 - 200	5 - Wide		PS - PS MH	ED28 - ED28	208 - 208V		CRL - Con. Ring Lvr.
	6 - 400					240 - 240V		CFX - Color Filter
						277 - 277V		"x" specify color
						347 - 347V		
						480 - 480V		