


# Retail Display (SP)



Lamp included  
Suitable for wet locations 

### Retail Display Specification

Fixture is a compact floodlight ideal for accent lighting applications. Available in 50 to 150 watt high pressure sodium lamp, or 50 to 175 watt metal halide lamp. Available with 120, 208, 240, 277 volt, or 4MT (120,208, 240,277V) 60Hz ballast. Luminaire shall be completely pre-wired for ease of installation.

### Basic Product Description

One piece die cast aluminum lamp and ballast housing and removable die cast lens frame. Fixture is finished in white polyester powder coating. Porcelain socket, nickel plated screw shell with lamps grips and spring loaded center contact eliminates lamp loosening. All stainless steel hardware.

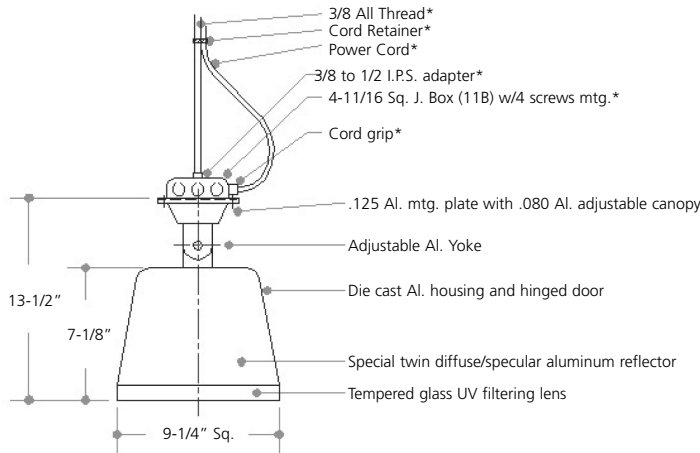
### Ballast Characteristics

Three types of U.L. recognized ballasts are available. Normal Power Factor (NPF), High Power Factor (HPF) in 120 volt only, and High Power Factor High Reactance (HPF-HX) auto-transformer in all voltages. Will start lamps at -20°F (-30°C) for metal halide and -40°F (-40°C) for high pressure sodium. For availability of 220/240V 50Hz ballasts - consult factory.

### Reflector Assembly

The combination of a one piece hydroformed anodized aluminum reflector and a tempered clear glass lens provides a NEMA 3 and NEMA 6 distribution.

WEIGHT = 14-18 lbs



Finish: Flat off white baked powder coat

\*Furnished by others

### Ordering Example

Unit SP	Wattage 0	Photometrics 5	Mounting 8	Lamp Style H	Voltage 120	Ballast Style H
Retail Display Fixture	50 0 - 70 1 - 100 2 - 150 3 - 175	3 - NEMA 3 6 - NEMA 6	8- Ceiling/Wall Mount	H - Metal Halide LS - High Pressure Sodium	120 208 240 277 480 4MT- (120, 208, 240, 277V)	N - Normal Power Factor H - High Power Factor
<b>Accessories</b>						
PBL - Parallel Blade Louvre						
GS - Glare Shield						
SIF - Single Inline Fuse						
DIF - Double Inline Fuse						
CSA Certification - consult factory.						

